



ZR6FD bilingual | tweetalige logo!

drukwerk papier / paper  
printing ZR6FD  
ZS6BAQ

# WATTS

08 - 2004

Year 74

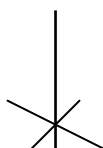
Monthly newsletter of the Pretoria Amateur Radio Club  
Maandelikse nuusbrieff van die Pretoria Amateur Radio Klub.



PARC, PO Box 73696 Lynnwood Ridge 0040, RSA



<http://www.qsl.net/zs6pta>



Bulletins : 145,725MHz 08:45 Sundays / Sondag

Relays : 1840, 3700, 7066, 10135, 14,200 MHz

depending on season

Swapshop: After bulletin 2m and 40m (also on-line)

## Management team / Bestuurspan 2003-2004:

<b>Chairman,</b> SARL liason, WATTS newsletter	Hans Kappetijn	ZS6KR	<a href="mailto:hans@qrv.co.za">hans@qrv.co.za</a>	012-333-2612 072-204-3991
<b>Vice Chairman,</b> P.R., Fleamarket, RAE, Projects	Almero Dupisani	ZR6RY	<a href="mailto:almero.dupisani@up.ac.za">almero.dupisani@up.ac.za</a>	012-567-3722 082-908-3359
<b>Sekretaris</b> Tydrenne, Toekennings	Johan de Bruyn	ZR6JHB	<a href="mailto:johandbr@absa.co.za">johandbr@absa.co.za</a>	012-803-7385 082-429-3689
<b>Treasurer</b> Clubhouse, Database	Richard Peer	ZR6CK	<a href="mailto:peerrk@safrica.com">peerrk@safrica.com</a>	012-333-0612 082-651-6556
<b>Klubfasiliteite,</b> Sosiaal, Vlooiemark	Willie Greyling	ZR6WGR	<a href="mailto:willie@up.ac.za">willie@up.ac.za</a>	082-940-2490

Co-opted / Geko-opteer:

<b>Auditeur</b>	Egbert Begeman	ZS6AZG	<a href="mailto:begeme@unisa.ac.za">begeme@unisa.ac.za</a>	012-347-1905
<b>Tydrenne</b>	Johann de Beer	ZR6YV		011-918-1060
<b>Webmaster</b>	Sander Wissing	ZR6SW	<a href="mailto:zr6sw@qsl.net">zr6sw@qsl.net</a>	012-661-4853
<b>RAE</b>	Brian Scott	ZR6BJS	<a href="mailto:ano@mighty.co.za">ano@mighty.co.za</a>	084-312-7407
<b>DF Hunts, Morse testing</b>	Bill Ingleson	ZS6KO		012-331-2327
<b>Tegnies</b>	Johan Lehmann	ZR6ANF	<a href="mailto:jlehmann@csir.co.za">jlehmann@csir.co.za</a>	083-300-8677
<b>Repeaters</b>	Hans Gurtel	ZR6HVG	<a href="mailto:adele123@absamail.co.za">adele123@absamail.co.za</a>	082-940-0623
<b>Repeater Maintenance</b>	Willie du Plessis	ZS6AEA	<a href="mailto:hesterdup@webmail.co.za">hesterdup@webmail.co.za</a>	012-565-5555 083-653-2101

## In this issue

- Editorial Redaksioneel
- Club meeting minutes Klubvergadering notules
- Member news Ledenuus
- Diary Dagboek
- General / Technical Algemeen / Tegnies
- 2003 AGM minutes 2003 AJV notules
- AGM details - appendix - AJV besonderhede

## in hierdie uitgawe

## AGM 74 AJV

Date: 12-08-2004  
Time: **19:15** for 20:00  
PARC Clubhouse,  
South Campus,  
University of Pretoria.  
SE cnr University and  
Lynnwood roads.

## Editorial

In this pre-AGM issue I would like to draw your attention to an alarming scenario. Your club is managed by a current Committee in which several persons have served for years. We are so used to their names and they perform their tasks so well that we take it for granted that they will again stand for nomination and be there the next time. But nothing is guaranteed.... There can be an immediate crisis if too few members wish to be nominated. It would be even worse if no one wants to be Chairman. The whole show can collapse and a special meeting has to be called to rescue the situation.

This will thankfully be fiction if you take Club matters and Amateur Radio to heart especially prior to our AGM and make yourself available for nomination. The workload is negligible for most functions and your expertise can help make the right decisions. We are an easy-going lot without politics. It will be so encouraging to see more names on the list than last year. Our Committee should preferably have a Chairman and say, six or seven permanent members. The Committee can be assisted by co-opted members who exist outside, but are tasked by- and report to the Committee for irregular, but necessary tasks. We also need to plan and implement our 75<sup>th</sup> Jubilee Year activities. **By the way, tangible evidence has come to light in the form of a hand-written minutes of the PRC inaugural meeting.** Our Jubilee is thus almost upon us. Let us enter our 75<sup>th</sup> anniversary year with a strong team by putting your name on the nomination form.

## Redaksioneel

In hierdie vooraf-AJV uitgawe wil ek graag u aandag vestig op 'n angswekkende toneel. U Klub word bestuur deur die huidige Komitee waarin verskeie persone alreeds jare dien. Ons is so gewoond om hulle name te hoor en hulle verrig hulle take so goed dat ons dit as selfsprekend aanvaar dat hulle weer beskikbaar sal wees vir nominasie en weer die volgende keer daar sal wees.

Maar niks is gewaarborg is nie.... Daar kan 'n onmiddellike krisis ontstaan as as te min lede genomineer wil wees. Dit sal nog erger wees as nie een die Voorsitter wil wees nie. Die hele petalje kan inmekaar stort en dan moet 'n spesiale vergadering beroep word om die saak te red.

Dankbaar sal dit net fiksie wees as u ons Klub aangeleenthede en Amateur Radio ter harte neem, veral nou voor die AJV en uself beskikbaar maak vir nominasie. Die werkslas is werklik lig vir die meeste funksies en u kundigheid kan help om die regte besluite te neem. Ons is 'n rustige klomp sonder politiek. Dit sal baie aanmoediging gee as meer name op die lys kan wees as laasjaar. Ons komitee moet verkieslik 'n Voorsitter en ses of sewe lede he. Die Komitee kan bygestaan word deur geko-opteerde lede wat buite, maar onder opdrag van- en verslag gee aan die Komitee vir ongereguleerde, maar noodsaaklike take. Ons moet ook ons 75e bestaansjaar se aktiwiteite vorentoe beplan. **Terloops, 'n tasbare bewys het tevoorskyn gekom in die vorm van 'n hand-geskrewe notule van die PRC se inwydingsvergadering.** Ons Jubileum is dus op hande. Kom ons betree ons 75e bestaansjaar met 'n sterk span en plaas ook u naam op die nominasievorm.

---

## Minutes of the monthly club meeting of the Pretoria Amateur Radio Club held at the South Campus of the University of Pretoria on 8 July 2004

**Welcome:** Hans ZS6KR declared the meeting open and welcomed all who attended.

**Attendance:** The meeting was attended by 26 members, 5 visitors.

**Apologies :** Johan ZR6ANF, Bill ZS6KO, Chris ZS6FCS, Pine ZS6OB, Viv ZS6BZS, Joe ZS6TB, Egbert ZS6AZG, Lynette ZR6LHT

**Personal Matters/Lief en leed:** Stan ZS6AAO is still very ill.

**Minutes of previous meeting:** The minutes of the previous meeting as published in WATTS were approved. Proposed by Willie ZR6WGR and seconded by Mike ZS6CDI

**Matters arising from previous minutes:** None.

### Club Activities:

**DF Hunt:** No DF hunts planned because of the winter season.

**Fleamarket:** Almero ZR6RY - MEGA FLEAMARKET – thanks to Willie ZR6WGR, Richard ZR6CK, Molly ZR6MOL Magda ZS6MVW and family for assisting at the fleamarket. Once again it was a huge success.

**Rallies:** Johan ZR6JHB – Volgende tydren – ABC Motor Spares Rally – 10 Julie 2004 in Carltonville. Die tydren sal afgehandel word oor 7 sneltrajekte en daar gaan gebruik gemaak word van 1 beheerstasie, 5 mobiele stasies en 5 veldstasies. Die mobiele herhaler gaan ook ingespan word.

**Social:** Willie ZR6WGR – The last social event was on Sunday 4 July at the Pretoria Motor Club. Thanks to Johan ZR6JHB for the arrangements.

**Finances:** Richard ZR6CK – The club’s financial year ended on 31 June 2004. Richard and Egbert are busy finalizing the financial statements.

**Ham Dairy:**

Jul	10 – Regional Rally Carltonville
	19 – Schools open
	24-25 IOTA Contest
Aug	01 – SARL HF Phone Contest
	12 – PARC AGM
	19 – New Committee meeting
	21 – Ham Fest and Radio Technology in Action at NARC
	21-22 International Lighthouse/ship weekend

**General/Algemeen:** Hans ZS6KR – Mosies vir bespreking/aanvaarding tydens die AJV moet die Sekretaris voor of op 21 Julie bereik.

**Presentation:** Joe ZR6SA - WX Satellite Systems: Thanks to Joe for an interesting talk and display of hardware.

**Next meeting:** The next meeting (AGM) is scheduled for 12 August 2004.

**Closing:** The meeting closed at 21:31. Thanks to Molly ZR6MOL for serving tea, coffee, soup and a bite to eat.

ZR6JHB

---

**July meeting presentation glimpses:** Joe Noci ZR6SA is a true home-brewer assisted by his sw who handles the software aspects of his brainstorms as required. Both are employed at ATE and these photos attest to much dedicated activity. We hope to invite Joe again to elaborate more on specific subjects.

photos: ZR6HEN



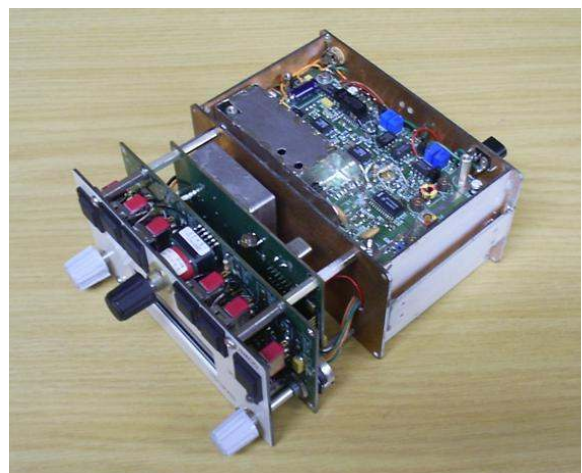
Joe explaining the intricacies of tuning an HF loop.



A captive audience of some 31 people braved the cold

More home-brew VHF/SHF gadgets and SHF antennas

A home-brew WEFAX receiver



## Birthdays Verjaarsdae

Augustus



01 Sue ZS6SUE, sw of Don ZS6CRT  
03 Paul ZS6BMF  
05 Hans ZR6HVG  
06 Estelle, sw of Simon ZS6AST  
06 Edwin ZR6ESP son of Richard ZR6CK and Molly ZR6MOL  
07 'JB' ZR6YV  
07 Hubert ZS6HVM  
08 Ray ZS6ALG  
10 Anne ZR6AUL, daughter of Frances ZR6AUT  
10 Wally ZS5WP  
11 Lorraine, sw of Stan ZS6SDZ  
14 Harry ZS6HRD  
15 Samantha, daughter of Don ZS6CRT and Sue ZS6SUE  
15 Molly ZR6MOL, sw of Richard ZR6CK  
16 Marie, dogter van Hansie ZS6AIK  
16 Daniel ZR6AUS

August

## Anniversaries Herdenkings

07 Peggy and Ed ZS6UT  
20 Bertha and Hans ZS6KR  
27 Anne and Jac ZS6QA  

---

22 Neville ZR6NBA  
22 Hal ZS6WB  
23 Otto OE9OWV / ZS6OFW  
25 Doppies ZS6BAQ  
28 Jean ZS6ARA  
29 Louise, dogter van Dawid ZS6DSG  
30 Jonathan, son ZS6CRT and ZS6SUE  
30 Don ZS6CRT  
31 John, son of Bernie ZS6ANU

---

**Nuwe Lede** Wynand van Wyk ZS6ARF  
Hendrik Beukes ZR6RPC

---

**Silent Key** OM Stan ZS6AAO passed away 10 July. He was 93. Our sympathies to his sw Truus.

---

## Sick Parade

Egbert ZS6AZG was tydelik in 'n rolstoel in die



begin van Julie.

## Krukkelys

---

## PARC Diary | Dagboek

Aug 01 **SARL HF Phone contest!**  
**Shall we go for the SARL Club Participation award for the 8<sup>th</sup> time? Make some time and let's do it. Logs in UTC please.**

07-08 Worked All Europe CW DX Contest ([www.darc.de](http://www.darc.de))  
12 **PARC AGM**  
21 Ham fest and Radio Technology in Action at NARC  
21-22 International Lighthouse/Lightship Weekend

Sept 09 PARC club meeting

**Forgot? Please pay your membership fees**  
**Vergeet? Betaal asb u ledegeld. R50**

**Nuwe lede vanaf 1 April is opbetaal vir 2005**  
**New members from 1 April are paid up for 2005**

**FNB Account | Rek : 546 000 426 73**  
**FNB Branch | Tak : Lynnwood 25 20 45**

**or direct to any committee member.**  
**of direk aan enige komiteelid.**

---

## Snippets | Brokkies

- Geluk aan Ronel en Pieter Stronkhorst **ZR6PSR** met die geboorte van hul dogter op 28 Junie.
- PARC het **MRK** amptelik gelukkigwens met hulle 40e bestaansjaar op 23 Junie.
- Tjerk **ZS6P** is nou ons amptelike Argivaris en doen ook SARL navorsing. Help hom as julle iets het.
- A **new parrot repeater** on 70,150 MHz simplex (25sec parrot hold) has been set up in Rustenburg. Try it.
- Johan **ZR6ANF** verteenwoordig ons van nou af by die Divisie 6 VHF/UHF Komitee. Sake soos nuwe herhalerlisensieaansoeke, lisensie wysigings, data opdatering, koppelings, oorvleueling en sturings word gehanteer, beoordeel en deurgevoer na ICASA waar nodig, met inagneming van IARU Gebied 1 riglyne.
- Ed **ZS6UT** will in future be our DX Reporter on our Sunday morning Club bulletins.
- Emil **ZS6EGB** has moved to Ghana for a five-year medical doctor stint with a South African mining concern. Before leaving he submitted his DXCC CW application. Eventually he will relocate permanently to Pretoria.
- Congrats to Selwyn **ZS6SEL** who recently became a grandfather. His grandson was born in the USA.
- **Roger Barker**, the originator of Winpack and UIView, has been diagnosed with inoperable cancer.

# The History of the Barlow Wadley company and the XCR30 Receiver

(Courtesy of David Larsen. Originally published in the Chiltern ARC Newsletter 04-2003)

Additional pictures from [www.barlowwadley.it](http://www.barlowwadley.it)



Early model ca early 70's Later model with grey and silver front



Accessory to show 0-999kHz. MHz value is read on the radio

The Wadley receiver was invented "to meet a clearly defined need". At the time, the early fifties, there existed no effective "frequency synthesizer" and no tuneable receiver with a frequency stability anywhere approaching that of a crystal oscillator with the exception of a "multi crystal" receiver such as the Collins 51J (USA).

Dr. Wadley made two prototype models in the Telecommunications Research Laboratories (TRL) of the South African Council for Scientific and Industrial Research.

The first photograph below is of the first of these two prototypes. In the 1950s I (David Larsen) built the 7<sup>th</sup> prototype Wadley receiver for the Superior Manufacturing and Development Company (SMD). This receiver is shown the second photograph. Like its predecessors the receiver used valves BUT, unlike its predecessors, it was the first prototype of a commercial version of Dr. Wadley's receivers. A few years later Geoff Meakes built the first RACAL prototype receiver in the UK - this receiver became known as the RA17 and was based on the 7th SMD prototype..



Ken Clayton and I built the first all transistor Wadley receiver in late 1950s as an amateur radio project. Dr. Trevor Wadley built the first BW prototype in the mid-60's whilst he was with Racal-SMD



## BARLOW-WADLEY XCR-30



**SIDEBAND ELECTRONICS ENGINEERING** introduces a truly portable communications receiver, based on the WADLEY LOOP principle, the same principle as applied in the DELTAHET and RACAL receivers. A truly crystal-controlled highly sensitive multiple-heterodyne portable receiver of exceptional stability with continuous, uninterrupted coverage from 500KHz to 31MHz.

**BARLOW-WADLEY XCR-30** features include: Selectable USB/LSB, CW & AM reception, frequency read-out 10kHz throughout the entire range, calibration accuracy within 5kHz, antenna resonator, tuning signal-strength meter, zero-set control, clarifier-vernier tuning, MHz & kHz tuning controls, telescopic antenna. Power source: 6 type D dry cells; provision for external DC power supply. Weight 9 lbs; size 11 1/2 x 7 1/2 x 4 in. All for \$225.00, sales tax included.

When not in use or for carrying, the top meter/magnetics scale flips down flush with the case and clear of the handle.

Direct orders only. No agents or distributors to increase the price with their commissions.

**SIDEBAND ELECTRONICS ENGINEERING, PO Box 23, Springwood NSW 2777**

in Pretoria. The final prototypes were completed at the Barlow Mfg Company in New Germany a few years later. It is interesting to note that, in the early 1960's, the Barlow Group purchased Horace Dainty's Superior Manufacturing and Development Company in Pinetown and moved it to New Germany where it became known as the Barlow Manufacturing Company (BMC). The CEO of BMC was Barry Cooke, a founder member and senior director, of the SMD Manufacturing Company.

**Sold worldwide: (1974 advert)**  
**These radios are now collectors' items**

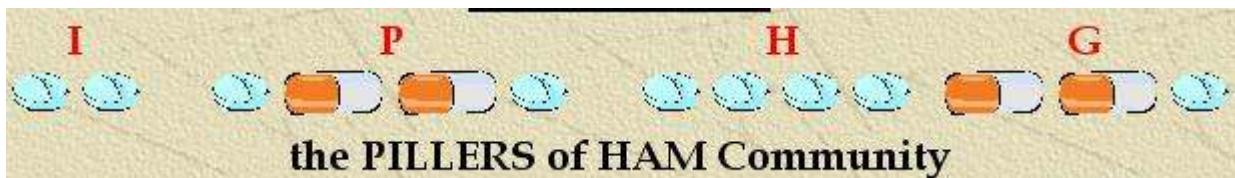
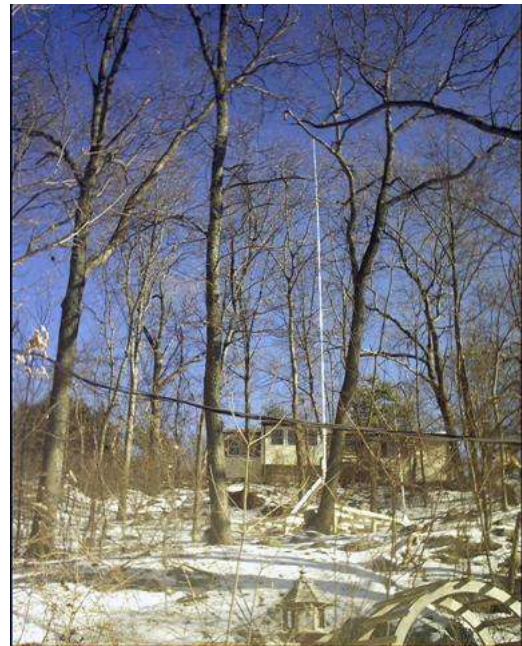
## More on the DLM Antenna

Last month's report on a new compact HF vertical antenna in the process of being patented by Rob Vincent prompted Ed ZS6UT to correspond as follows:

Hi Hans, Thanks for the Watts, very interesting! Thought you may find this interesting after reading your insert re Vincent and his new DLM antenna design. I have been corresponding with Rob Vincent K1DFT for a while after contacting him twice on 160m during a Pile-up. His design is a 39 foot vertical and he was running only 100w. No mean feat to pick someone out of the pile-up running only 100w on Top band! (I was causing the pile-up to State-side)

Vincent:

DLM can be mounted in clusters for several bands with no interaction. Look forward to working you again and your QSL card is one of my treasured possessions.



Hello everybody! This is the official web site of the International Pharmacists Ham Group. The I.P.H.G. started on March 18th 2002 by Andrea and Pier Luigi, two Radio Amateurs Pharmacists that wanted to see more members of our professional category active on the international Ham

scene. Our aim is to promote radio initiatives, to establish friendship and to help the people who need any possible aid we can provide. If you are an OM/YL Pharmacist and want to join the Group,

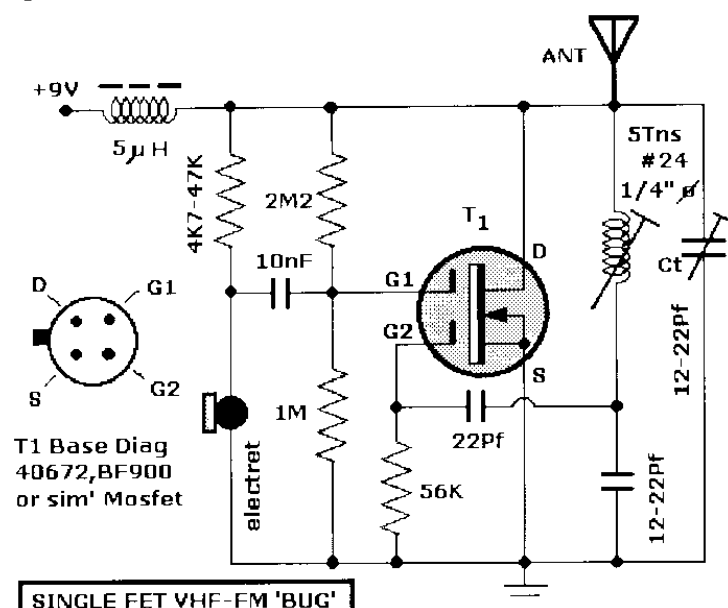
Go to: <http://www.malpensa.it/iphg/principale.htm>

## SINGLE FET VHF (88-108 MHz) FM WIRELESS MIC

by Frank VK6FH

The circuit shown depicts a wide band FM wireless microphone. Its power and range are similar to the commonly known circuits, which use bipolar transistors. The simplicity of the design means it is certain to work first time. One gate circuit of the MOSFET is a self excited RF oscillator, and the other gate circuit acts to bias the device and also as a microphone pre-amp and modulator.

Tuning can be effected by making Ct a trimmer/padder capacitor, or alternatively if this is fixed, then expanding or compressing the coil should give some variation in frequency. Almost any dual-gate N-Channel MOSFET should work; suitable types are 40673, 40822, BF900, BF988. A 9V battery is used as a power supply. Range could be increased by adding a PA stage as shown on the FM bug V5 (SM0VPO web pages)



## An electronically linked push button switch

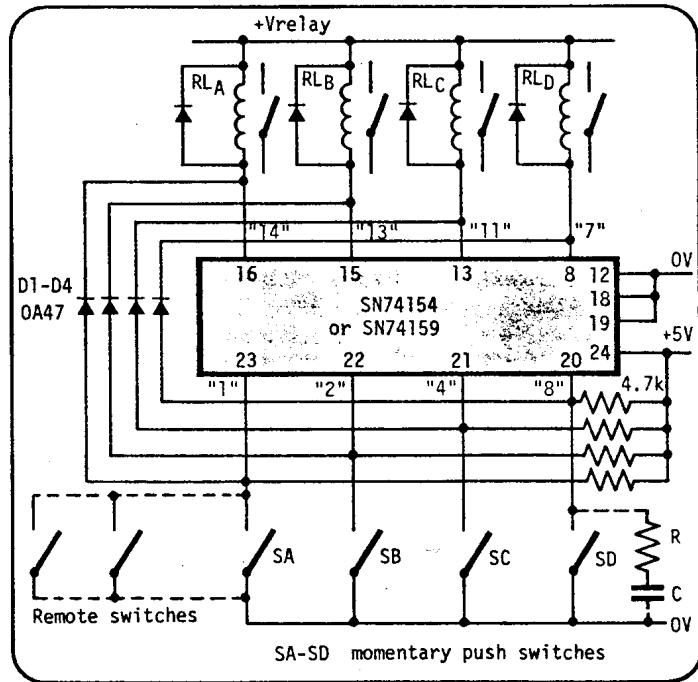
This electronic simulation of a traditional interlocked switch bank is **more ideal than its mechanical counterpart.**

Firstly, remote operation is possible as shown and secondly depressing two at the same time will not cause lock-up.

Another advantage is that presetting a particular output at turn-on is possible as shown by the RC arrangement across switch D.

The SN74154 permits 5V relays to be used and the 74159 relays up to 30V.

If only a logic level is required as an output, the relays can be omitted and, in the case of the SN74159, a pull-up resistor is required as this device has open collector outputs.



### Manuals for free:

[www.mods.dk](http://www.mods.dk)  
[www.rigpix.com](http://www.rigpix.com)  
[www.alinco.com](http://www.alinco.com)  
[www.kenwood.net](http://www.kenwood.net)  
[www.kb2lj.com/](http://www.kb2lj.com/)  
[www.randstadamateer.net](http://www.randstadamateer.net)  
<http://parnass.com/tk5/>  
<http://6mt.com/swan.htm>  
<http://6mt.com/clegg.htm>

[http://support.radioshack.com/support\\_electronics/2849.htm](http://support.radioshack.com/support_electronics/2849.htm)  
<http://myweb.accessus.net/~090/bearcatting.html#alincoman>  
<http://www.icom.co.jp/world/support/download/menu.html>  
<http://www.hamdirectory.info/KENWOOD.html>  
<http://www.hamdirectory.info/YAESU.html>  
<http://www.hamdirectory.info/ICOM.html>  
[http://f6keh.free.fr/index\\_r](http://f6keh.free.fr/index_r)  
<http://www.hamdirectory.info>

**AGM:** Please consider serving in the next Committee. Your expertise may be required. Help spread the load. ----- Let someone nominate you or nominate yourself ----- thank you. AGM Notice, Agenda, Nomination- and Proxy slips on accompanying appendix.

**AJV :** Oorweeg asb. om in die volgende Komitee te dien. U kundigheid is dalk nodig. Help om die las te versprei. ----- Laat iemand jou nomineer of nomineer jousef ----- dankie AJV Kennisgewing, Agenda, Nominasie- en Volmag strokies op meegaande aanhangsel.

“It ain’t the individual or the Branch as a whole,  
 But the everlasting teamwork of every blooming  
 soul,  
 That keeps the Branch from going down the  
 hole.”

6ET. (Oct 1952)

## MINUTES OF THE PRETORIA AMATEUR RADIO CLUB 68<sup>th</sup> AGM HELD AT THE SOUTH CAMPUS OF THE UNIVERSITY OF PRETORIA ON 14 AUGUST 2003.

- 1) **Welcome:** The chairman Hans ZS6KR declared the meeting open and welcomed all who attended.  
**Visitors:** Hans extended a special word of welcome to the President of the SARL Graham Hartlett ZS6GJH, Council member Kobus Conradie ZR6D, Sylvie sw of Tjerk ZS6P, Mary sw of Bill ZS6KO, Lynn sw of Andre ZS6BRC, and Martie sw of "JB" ZR6YV.
- 2) **Apologies:** ZS6MRA, ZS6CRT, ZR6ESP, ZR6HAP, ZS6AZG, ZS6AUT, ZS6WB and ZR6OLM
- 3) **Personal matters:** Hans requested the meeting to maintain a moment of silence in remembrance of Abrie van der Merwe, ZS6CJA who passed away a couple of weeks after the AGM of 2002.
- 4) **Kworum:** Daar was 28 opbetaalde lede teenwoordig wat aan die vergadering 'n kworum besorg het.
- 5) **Minutes of previous meeting:** The minutes of the previous meeting were read and accepted. Proposed by Almero ZR6RY and seconded by Willie ZR6WGR.
- 6) **Matters arising from previous meeting:** None.
- 7) **Guest speaker:** The speaker for the evening was Graham Hartlett ZS6GJH, President of the South African Radio League. In his speech, Graham reported on issues regarding the SARL and on its achievements since the April AGM as well as goals still to be met.
- 8) **Chairman's Report:** Hans ZS6KR then read his report and reflected on highlights the club achieved during the year.
- 9) **Financial Report:** Richard ZR6CK reported on the Club's finances. After a short discussion, the Financial Report was accepted. Proposed by Tjerk ZS6P and seconded by Viv ZS6BZS.
- 10) **Motions:** 1. Constitution par. 49 additional sentence: "The current financial status shall be available to the Committee at every Committee meeting" - carried  
2. Constitution par. 53 altered thus: "31<sup>st</sup> May" replaced with "30<sup>th</sup> June" – carried
- 11) **Awards:** The following trophies were awarded:  
The Pretoria Ham Spirit award: Andre van Tonder ZS6BRC.  
The Sonny Don Practical Assistance Trophy: Almero du Pisani ZR6RY.  
The SARL Piet Roos Trophy: Hans Kappetijn ZS6KR  
The Roy Alexander Rally Trophy: Bill Ingleson ZS6KO  
The Hansie Meyer Participation Trophy: Jac Roux ZS6QA  
The Wessel ZS6BLY Trophy: Pine Pienaar ZS6OB                      Honoray Life Membership: Viv Prince ZS6BZS  
The ZSL Trophy: Malcolm ZR6OLM    Special Merit Award: Egbert Begeman ZS6AZG

Daar is ook aan al die LV's wat die vergadering bygewoon het 'n klein geskenkie oorhandig

- 12) **Verkiesing van nuwe Komitee-lede en voorsitter:**  
Tjerk ZS6P het die voorsitterstoel oorgeneem vir die verkiesing van die nuwe komitee en voorsitter.  
Die volgende lede is benoem en verkies tot komitee-lede:

Richard Peer ZR6CK	Johan de Bruyn ZR6JHB	Almero Dupisani ZR6RY
Hans Kappetijn ZS6KR	Willie Greyling ZR6WGR	

Al die lede wat genomineer is se benoemings is aanvaar.

- 13) **Verkiesing van nuwe voorsitter:**

Daar was slegs een benoeming vir voorsitter naamlik Hans Kappetijn en is hy eenparig herkies as voorsitter.

- 14) Na Hans ZS6KR sy aanvaardingstoespraak gemaak het, het die vergadering verdaag en daar is heerlik saam gekuier tot LAAT! Baie dankie aan Bill, Mary, Doreen en Molly vir die voorsit van die heerlike eetgoed.

Secretary / Sekretaris \_\_\_\_\_

**Trophies that can be presented at the 2004 AGM || Trofee wat by die 2004 AJV oorhandig kan word**  
**The Committee has made tentative choices but is open to suggestions with good and relevant motivations. If you wish to nominate anyone for these awards: do it before 31 July and phone or email your motivation to the Secretary**

**ZS6BLY Trophy** – Best technical lecture / talk at meetings  
**Sonny Don Trophy** – For assisting others  
**Valvoline trophy** – Best DF hunter  
**Ham Spirit trophy** – As the description says  
**Roy Alexander Trophy** – Top support on Rallies

**Hansie Meyer trophy** – For participation  
**Piet Roos trophy** – Best contributions to WATTS  
**Jack Bennet trophy** – 6m Activity  
**ZSL Trophy** – Most progressed ZSL listener  
**Merit awards** / Certificates / Honorary membership